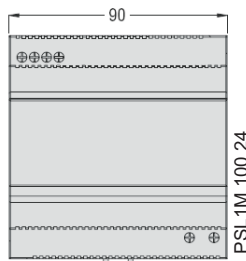
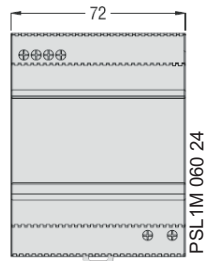
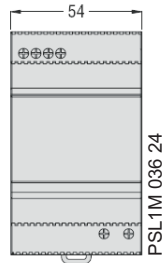
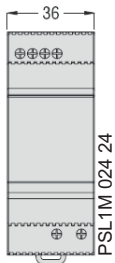
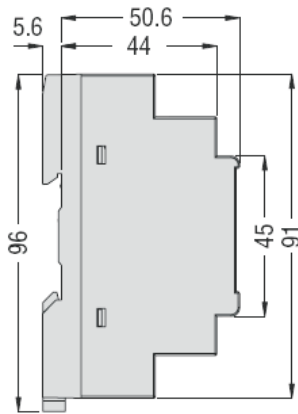




Dimensions:



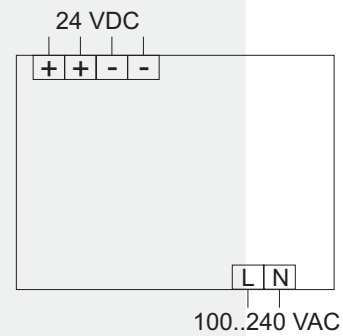
PSL1M

overview

- ◆ power supply 100-240V~
- ◆ various power levels
- ◆ efficiency up to 89%
- ◆ LED-indicators for operating and error
- ◆ adjustable output voltage
- ◆ operating temperature between -20..+70°C
- ◆ overload protection
- ◆ 45mm DIN-rail mount housing

specification

power supply	100-240V~ ±20%
frequency	50-60Hz
output voltage	24Vdc, ±5%
efficiency	typical 89%
loss power	typical 5W
parallel operated	yes
case	ABS/PC
mounting	DIN-rail mount housing
operating conditions	-20 to +70 °C non condensing



ordering information

part no	supply	output voltage	max.current	max. power	housing types
PSL1M 024 24	100 - 240 VAC	24 VDC	1 A	24 W	special
PSL1M 036 24	100 - 240 VAC	24 VDC	1.5 A	36 W	special
PSL1M 060 24	100 - 240 VAC	24 VDC	2.5 A	60 W	special
PSL1M 100 24	100 - 240 VAC	24 VDC	4.2 A	100 W	special